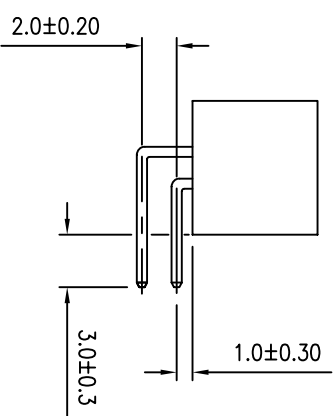
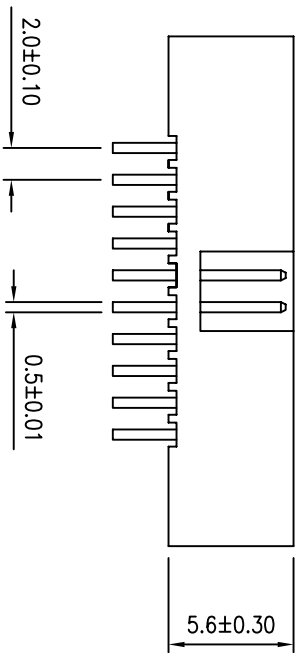
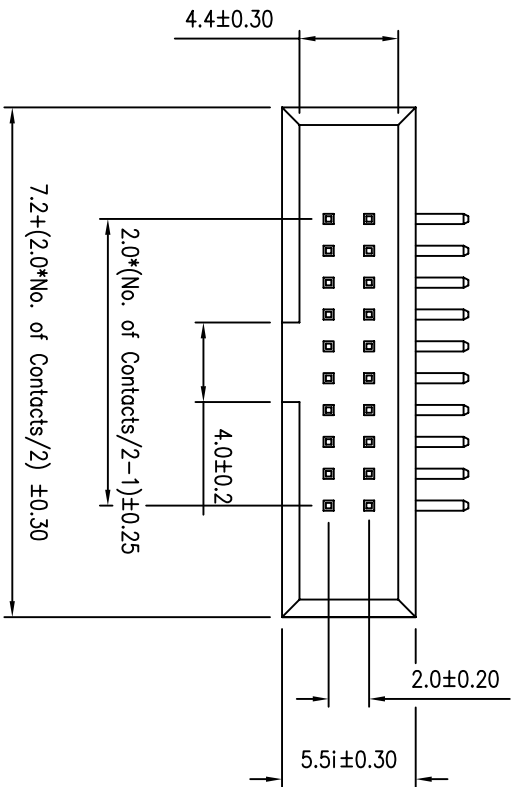


REV	ECN NO.	APP.	DATE
A	NEW DESIGN		



**SPECIFICATION**

- \* Current Rating: 2 A
- \* Withstanding Voltage: 500 VAC ( 1 min. )
- \* Insulation Resistance: 1000 Megohms min.
- \* Contact Resistance: 30 Milliohms max.
- \* Operating Temperature: -40°C to +85°C
- \* Retention Force: 1 kg MIN.

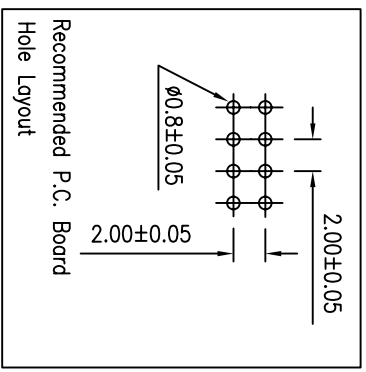
**ORDER INFORMATION**

BH02 - XX - G1  
 Series | Plating: All Gold

No. of pos
010 030
012 034
014 040
016 050
020 060
024 064
026

**MATERIAL**

- \* Contact: Brass , 0.50mm Square post
- \* Insulator: PBT & 30% G.F.
- \* Plating: Gold



**SHINHWA TECH CO.,LTD**

0.0±	SCALE:	TITLE:	PART NO:
0.00±	UNIT:	2.00X2.00MM (.079"*.079")	APP BY:
0.000±	MM	R/A BOX HEADER	CHK BY:
		MATL: PBT + 30% GF	DR BY:
		DWG. NO. BH02	